



Wulfden at Hawk's Mountain
The Shoppe
PO Box 188
Underhill Center, VT 05490
<<http://www.wulfden.org>>

FT817 Power Conditioner ** SX48 Board Upgrade
K107 Serial LCD Controller and Displays
MSP430 accessories ** Tab Robot Laser Tag
Propeller Robot Controller ** CD/DVD Library
Stamp Stuff - Basic Stamp, PICAXE, OOPIC
The full documentation for all Wulfden kits

is available online, go to

<<http://www.wulfden.org/TheShoppe.shtml>>

and select the appropriate kit and go to its home page, there will
links to the doc files. Also check our datasheet library at

<<http://www.wulfden.org/datasheets/>>

Check Out Our Tech Blog at

<<http://web.mac.com/brianbr/>>

MT8870 DTMF Decoder Chip

Suggested circuit

download complete datasheet from URL above

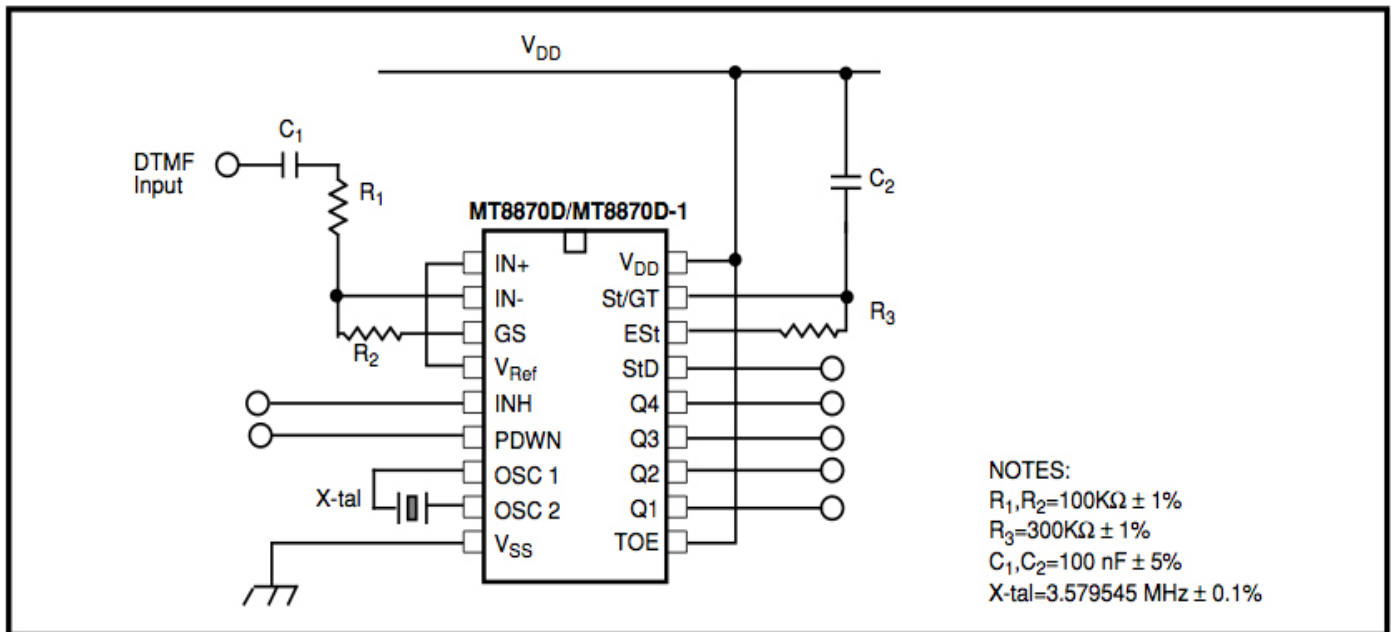


Figure 10 - Single-Ended Input Configuration

Parts List

- 1 - (1) MT8870D - DTMF Receiver Chip
- 2 - (1) 18 pin DIP socket
- 3 - (2) 100Kohm 1% resistors (brown-black-black-orange)
- 4 - (1) 300Kohm 1% resistor (orange-black-black-orange)
- 5 - (2) 0.1 uF Capacitor ("104")
- 6 - (1) color burst crystal, HC-49/US