

Model EN11

11mm Rotary Encoder

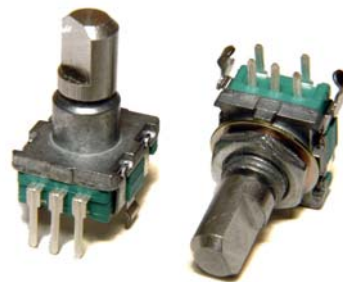
2 Bits Gray Code

Incremental/Contacting Type

Metal Bushing/Shaft

Push-on Switch Option

RoHS Compliant



MODEL STYLES

Top Adjust, with Switch, Threaded Bushing	EN11-HSM
Top Adjust, without Switch, Threaded Bushing	EN11-HNM
Top Adjust, with Switch, Plain Bushing	EN11-HSB
Top Adjust, without Switch, Plain Bushing	EN11-HNB
Side Adjust, with Switch, Threaded Bushing	EN11-VSM
Side Adjust, without Switch, Threaded Bushing	EN11-VNM
Side Adjust, with Switch, Plain Bushing	EN11-VSB
Side Adjust, without Switch, Plain Bushing	EN11-VNB

ELECTRICAL¹

Pulses (Per Revolution)	15, 20
Encoder Closed Circuit Resistance	3 Ohms, max.
Encoder Contact Rating	10mA/ 5Vdc
Operating Current, Maximum	10mA
Dielectric Strength	300Vac/1mA, 1 minute
Insulation Resistance, Minimum	100M ohms at 250Vdc/ 1mA
Sliding Noise (at 60 RPM)	2.0ms max.
Contact Bounce (at 15 RPM)	5.0ms max.
Operating Speed (RPM)	100 RPM max.
Switch Power rating	10mA/ 5Vdc
Switch Contact Resistance	100 milliohms
Actual Electrical Travel, Nominal	Continuous

MECHANICAL

Total Mechanical Travel	Continuous
Detents (per Revolution)	0, 20 and 30
Rotational Torque of Detent, Maximum	2.5 oz-in
Switch Operating Force	550 gf
Switch Travel	0.5mm

¹ Specifications subject to change without notice.

Model EN11

ENVIRONMENTAL

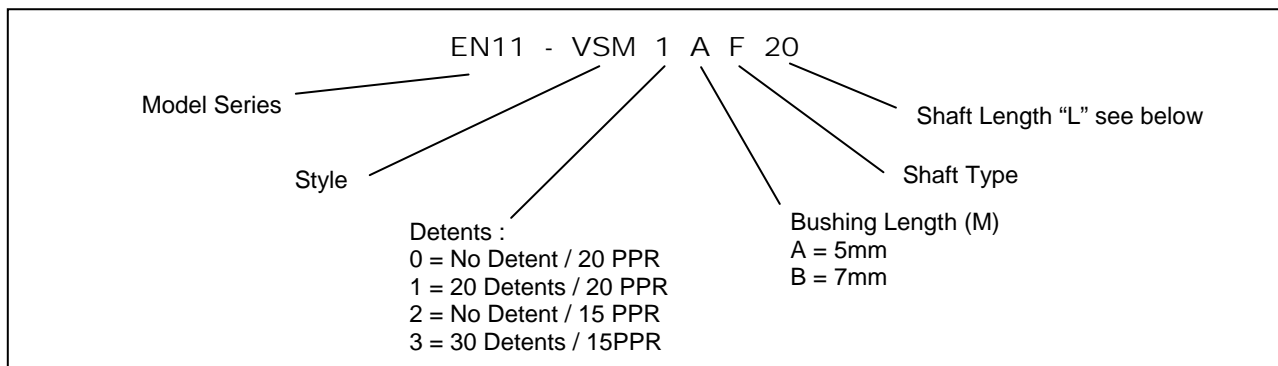
Operating Temperature Range

-30°C to +85°C

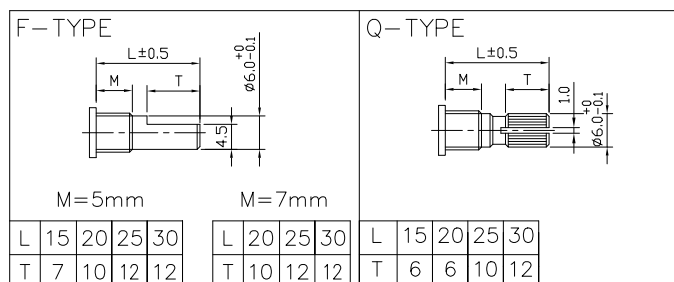
Rotational Life

30,000 cycles

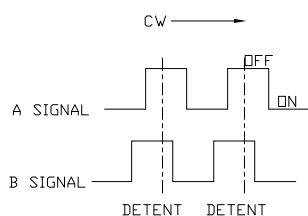
ORDERING INFORMATION²



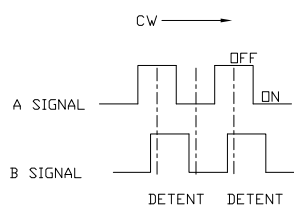
Shaft Types



CIRCUIT DIAGRAM



For 20 PPR (B leads A)



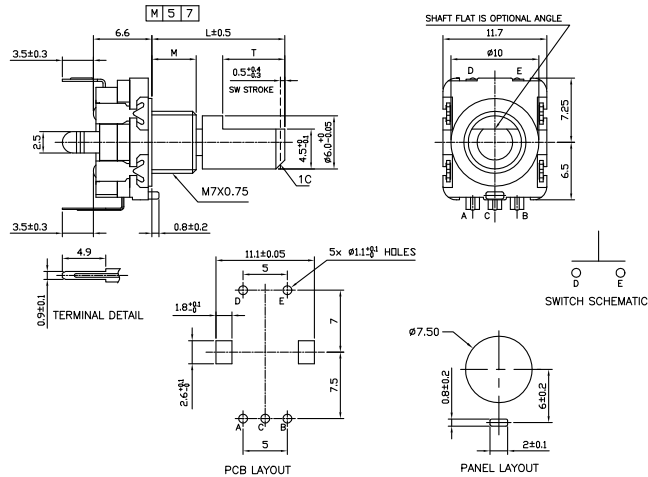
For 15 PPR (A leads B)

² Contact our customer service for custom designs and features.

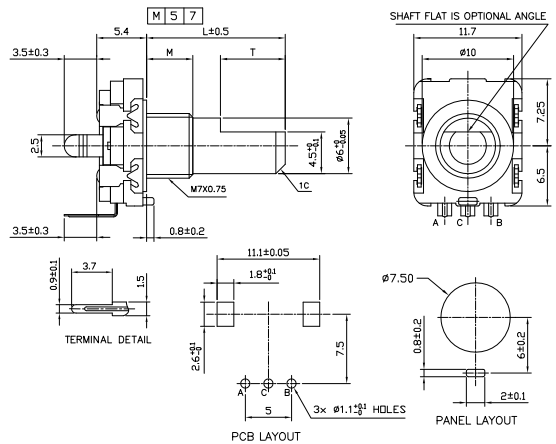
Model EN11

OUTLINE DRAWING

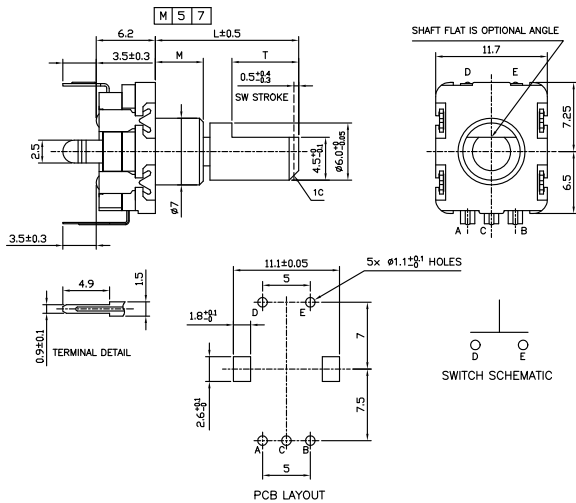
MODEL EN11-HSM
(Top Adjust, with Switch, Threaded Bushing)



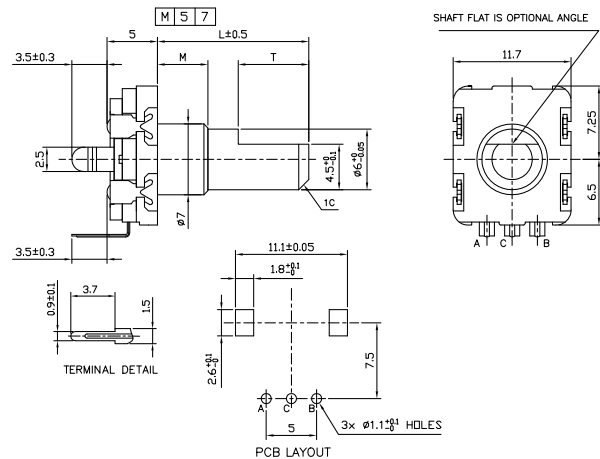
MODEL EN11-HNM
(Top Adjust, without Switch, Threaded Bushing)



MODEL EN11-HSB
(Top Adjust, with Switch, Plain Bushing)

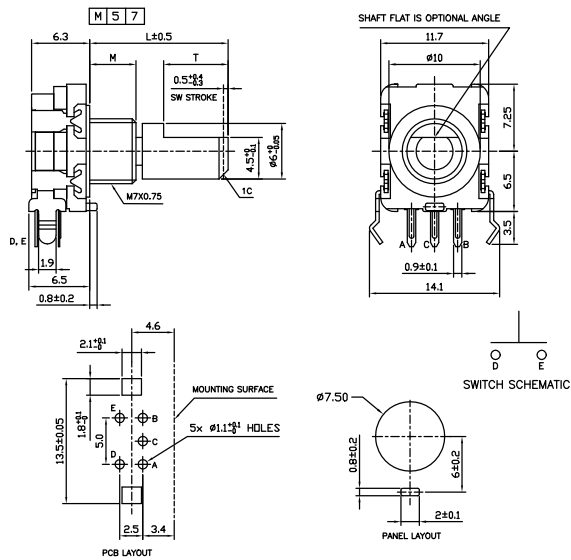


MODEL EN11-HNB
(Top Adjust, without Switch, Plain Bushing)

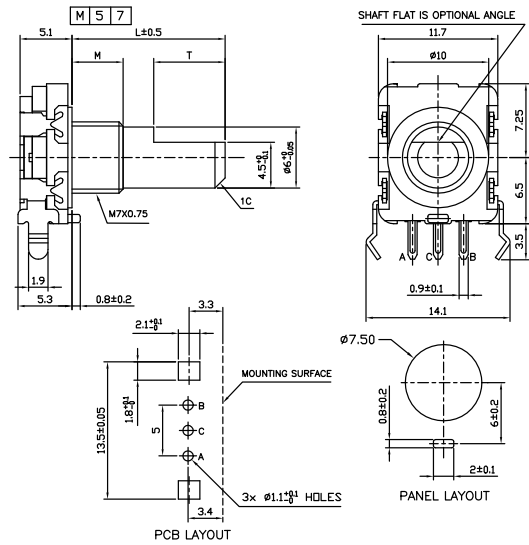


Model EN11

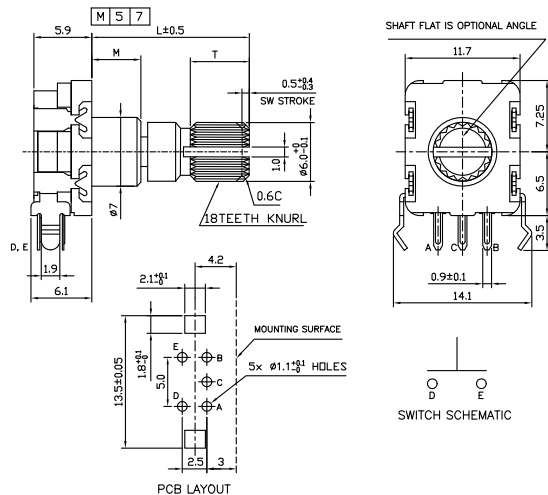
MODEL EN11-VSM (Side Adjust, with Switch, Threaded Bushing)



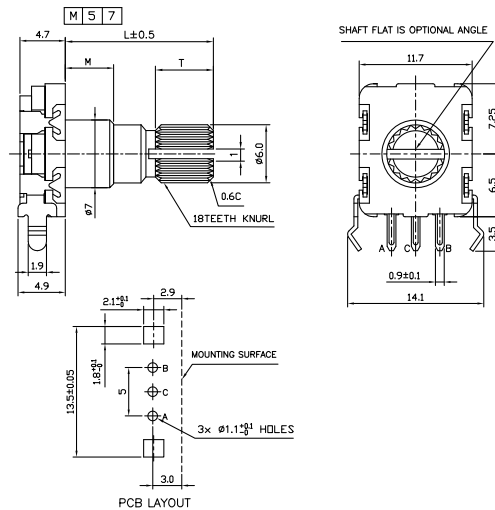
MODEL EN11-VNM (Side Adjust, without Switch, Threaded Bushing)



MODEL EN11-VSB (Side Adjust, with Switch, Plain Bushing)



MODEL EN11-VNB (Side Adjust, without Switch, Plain Bushing)



Mouser Electronics

Authorized Distributor

Click to View Pricing, Inventory, Delivery & Lifecycle Information:

BI Technologies:

[EN11-HNB0AF20](#) [EN11-HNB0BQ20](#) [EN11-HSB1AQ20](#) [EN11-HSM1AF15](#) [EN11-VNB1AQ15](#) [EN11-VSM0AF20](#)
[EN11-HSM1BF30](#) [EN11-VSM0F20](#) [EN11-VNM1BF15](#) [EN11-HSBIAF15](#) [EN11-HSM1AF20](#) [EN11-HSB1Q20](#) [EN11-](#)
[HSB1AF15](#) [EN11-HSM1BF20](#) [EN11-HSM1AQ20](#) [EN11-HNM0AF20](#) [EN11-VNM1AF15](#) [EN11-VNB0AQ15](#) [EN11-](#)
[VSB0AQ15](#) [EN11-VSM1AF20](#) [EN11-HSB1AF20](#) [EN11-HSM1AF30](#) [EN11-VSB1AQ15](#) [EN11-HSB1AF30](#) [EN11-](#)
[VNB1Q15](#) [EN11-HNM1AF15](#) [EN11-HSM1BQ30](#) [EN11-HSB1AQ15](#) [EN11-HSB1AF25](#) [EN11-VNB1BQ15](#) [EN11-](#)
[HSB0AQ20](#) [EN11-HSB1BF30](#) [EN11-HSM3BF15](#) [EN11-VSB1AF15](#) [EN11-VSB3AF15](#) [EN11-VSM0BF20](#) [EN11-](#)
[VSM1AF15](#) [EN11-VSM1BF20](#) [EN11-VSM1BQ20](#)