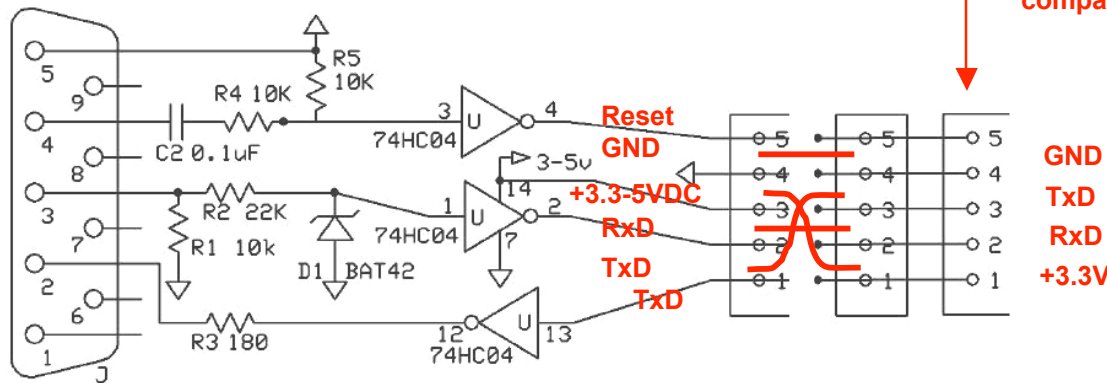


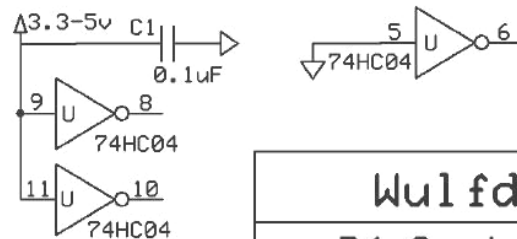
Wulfden/Modern Devices - P4 RS232 to TTL/CMOS Serial Adapter

Since the gate for the 'Reset' is not used, leave out C2/R4 and replace R5 with a wire jumper. This grounds the gate input, preventing random oscillation.

Connector plugs onto NUE-PSK Modem's "Field Programmer" pinheader on bottom of board inside battery compartment.



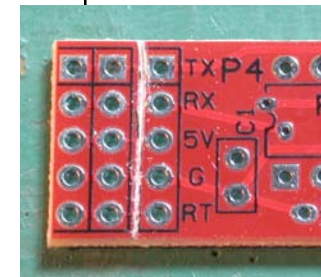
GND
+3.3V
RxD
TxD



Revised for NUE_PSK
N2APB / N1BQ
03 April 2008

Wulfden/Modern Device		
P4 Serial Programming Adapter		
Brian Riley	Rev 1.0 9/29/2007	Paul Badger

http://www.wulfden.org/pa/NUE_PSK.shtml



Use Xacto knife to cut all five traces and the rewire as shown above