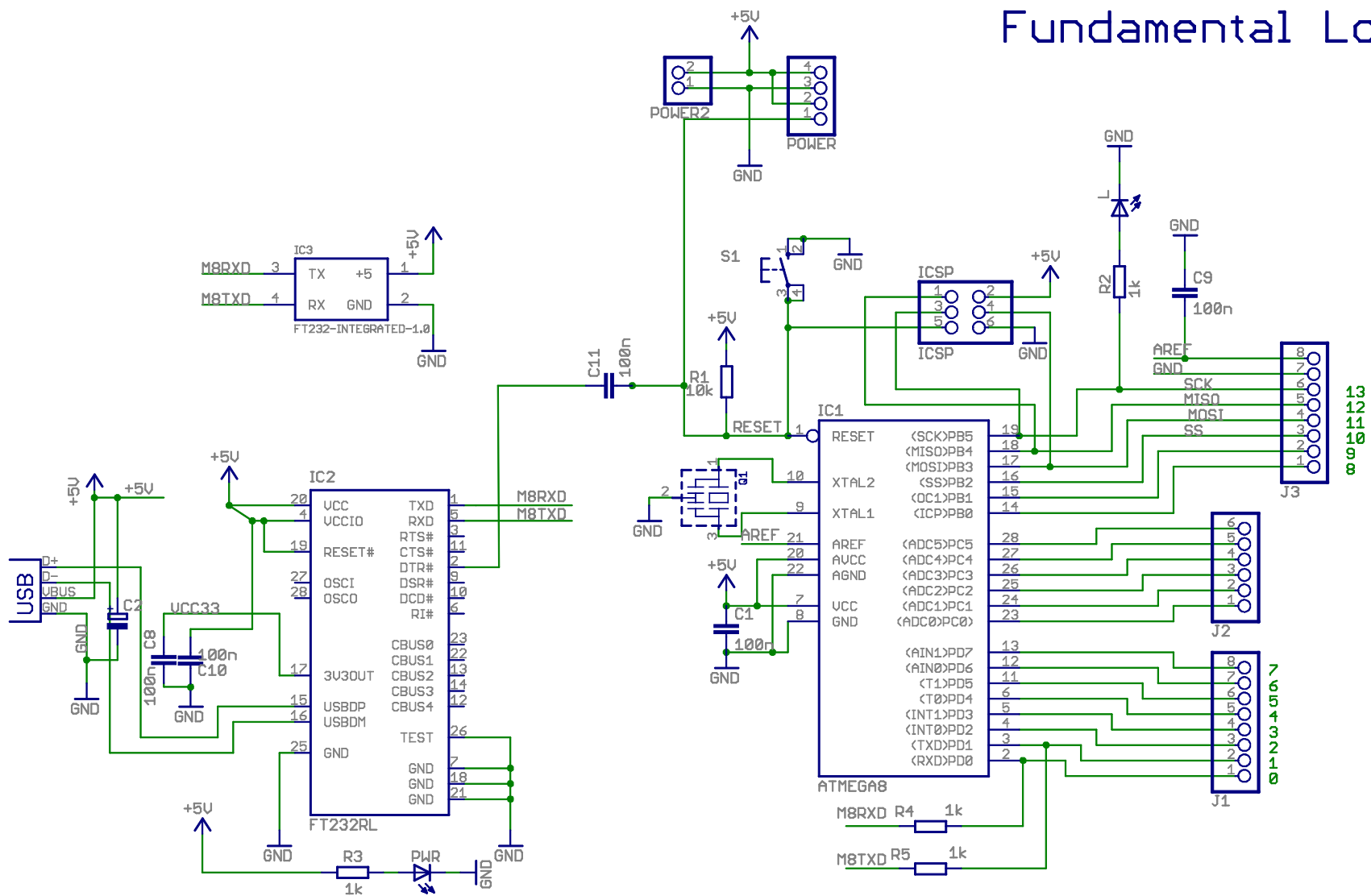


# Fundamental Logic



|                            |            |
|----------------------------|------------|
| iDuino                     |            |
| Designed By: Kevin Bralten |            |
| TITLE: uduino              |            |
| Document Number:           | REV: v2.1  |
| Date: 18/03/2008 07:24:08p | Sheet: 1/1 |